

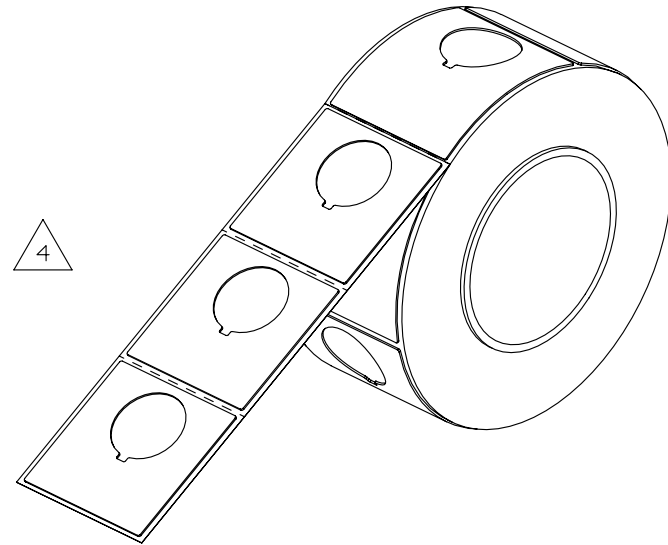
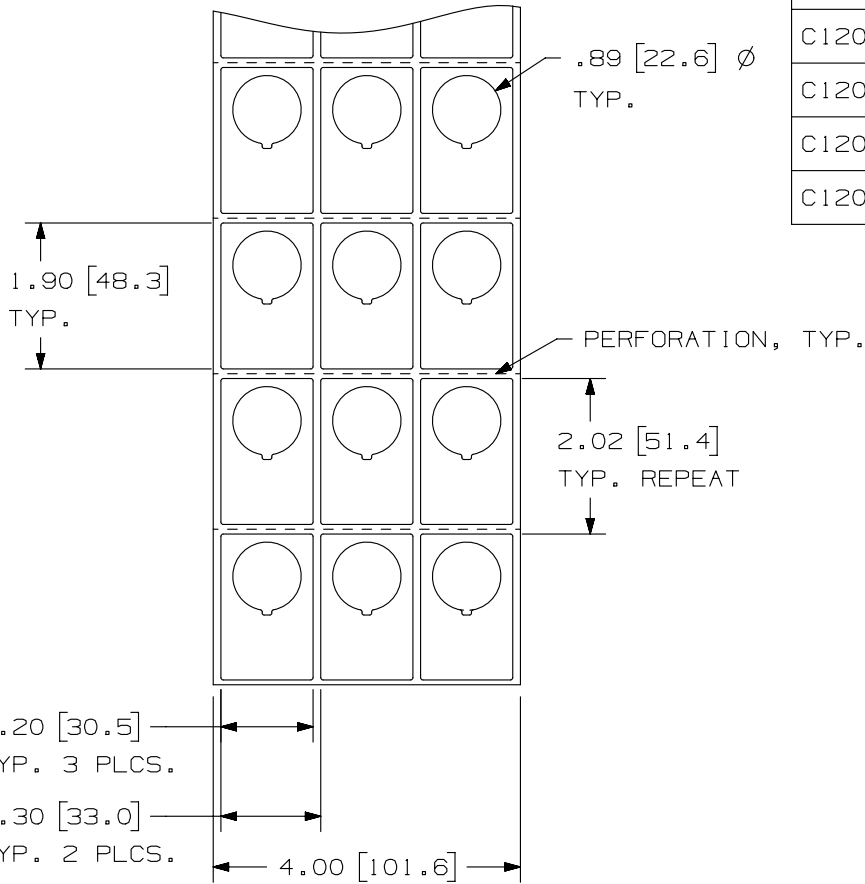
THIS COPY IS PROVIDED ON A RESTRICTED BASIS AND IS NOT TO BE USED IN ANY WAY DETRIMENTAL TO THE INTERESTS OF PANDUIT CORP.

NOTES:

1. DIMENSIONS IN [] ARE IN MILLIMETERS.



PANDUIT PART NO.	MATERIAL	FACE COLOR	PKG. QTY.	THICKNESS	PRODUCT TYPE
C120X190A0T-22	GMH3	BLACK	500	.030 +/- .010	POLYESTER/ FOAM COMPONENT LABEL
C120X190A8T-22		YELLOW			
C120X190APT-22	GMH3-W	WHITE			
C120X190AST-22	GMH3	GREEN			
C120X190AWT-22		RED			



REV	DATE	BY	CHK	APR	DESCRIPTION	ECN
4	1/9/13	RVU	DAPE	SEWH	ADD material column and ISO view. Update part numbers sequence list.	GAECN00512
3	5/3/10	RVU	DAPE		TOL. SHOULD BE .12, .062, NOT .1, .050.	6036
2	1/30/09	RVU	DAPE		REMOVE "REPEAT" FROM THE LABEL SIZE. ADD DIM. PERF. VERTICAL. REMOVE C120X190AMT-22.	5592
1	1/14/08	RVU			VOID	
0	9/5/08	RVU	PTR		DRAWING RELEASE.	5537

TITLE						
RAISED PANEL PUSH BUTTON LABELS C120X190A*T-22 CUSTOMER DRAWING						
ITEM REVISION NAME			100491BM/05			
DATASET FILE NAME			100491BM-DC-C10726/05E			
UNLESS OTHERWISE SPECIFIED, DIMENSIONAL TOLERANCES ARE: IN [mm]						PANDUIT TM MATERIAL: SEE TABLE DRAWING NUMBER: C10726
.x ± .12 [3.05]		.xxx ± .025 [.635]		ANGLES ±		
.xx ± .062 [1.57]						
DRAWN BY			DATE	CHK	SCALE	SIZE
RVU			9/5/08	MSAD	NTS	A
THIRD ANGLE PROJECTION						SHT 1 OF 1

D10100DA/12